



For assembly of the AlphaPool please refer to the instructions for the SuperPool. The process is the same for all the rectangle pools from Splash.

If you have any questions, please call our customer service department at 1-800-927-7527, email us at info@splashpools.com, or you can find videos at [YouTube.com/@SplashSuperPools](https://www.youtube.com/@SplashSuperPools)

We will be happy to answer any questions for you.

Congratulations on your AlphaPool, we know you will enjoy it for many years to come.



**SuperPool
Installation
User's Guide**

WARNING: Shallow water! Never jump or dive into an above-ground pool; serious bodily injury could occur.

Congratulations on the purchase of your pool!

A few notes prior to assembly. . .

Before starting to install your new pool, please read through all instructions in the Owner's Manual and check that you have received all parts for your pool. A list of parts can be found on Page 5. Please refer to the pump installation guide for any questions about the pump and filtration system.

Be sure that you have an area that is smooth, level and 4 feet larger than the pool to assemble your pool. Remove all sticks, rocks, and any sharp objects. Remove and cap off any sprinkler heads, fill voids, depressions, or hollows with dirt or sand. Any areas filled with dirt or sand must be compacted prior to the installation of your pool.

If you are installing your pool on dirt, sand, or grass, we recommend that you place a plastic sheet or foam pad between your pool and the ground.

As portable swimming pools, most localities do not require the homeowner to obtain any permits. However, it is the homeowner's responsibility to meet all applicable safety/health codes and zoning regulations.

WARNING: NEVER INSTALL YOUR POOL UNDERNEATH HIGH VOLTAGE POWER LINES — SERIOUS INJURY OR DEATH COULD RESULT.

WARNING: SHALLOW WATER! NEVER JUMP OR DIVE INTO A SPLASH SUPERPOOL — SERIOUS BODILY INJURY COULD OCCUR!

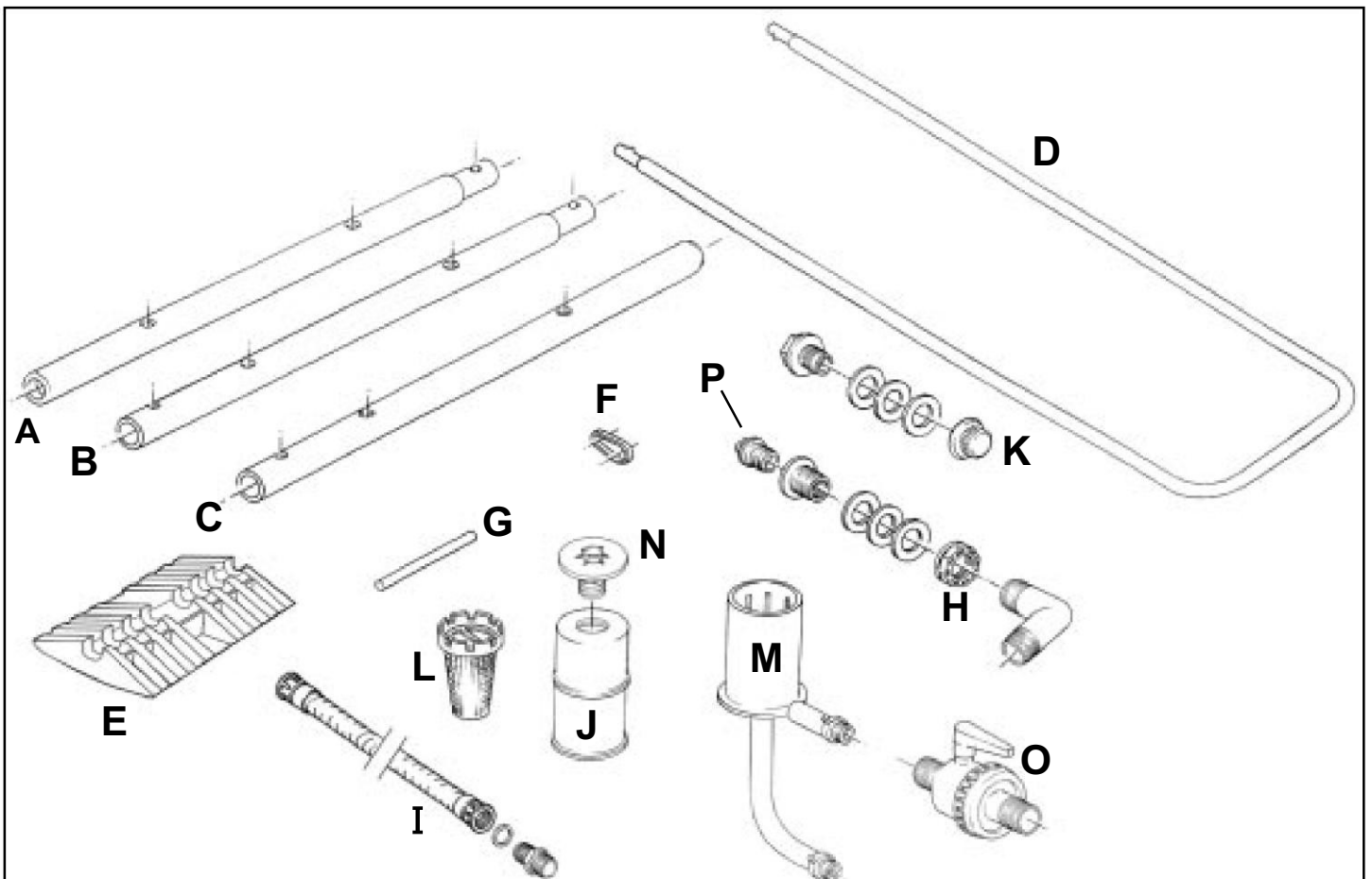
Table of Contents

Congratulations!	1
SuperPool Parts List	3
Getting Started	4
Installing Circulation System	8
Adding Optional Skimmer.....	13
Filling and Starting Your Pool	14
Vacuuming Your Pool	15
Cleaning Filter and Pump Basket.....	16
Winterizing Your Pool.....	17
SuperPool Structure Parts List.....	18

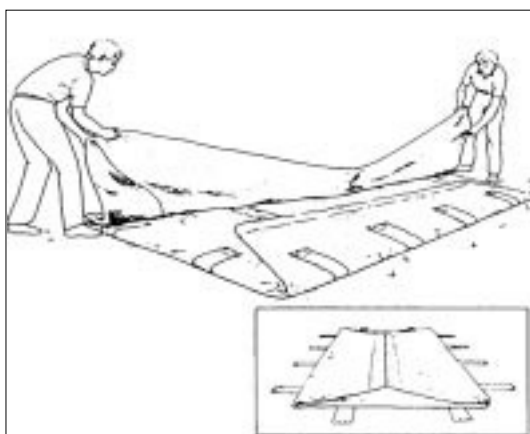
Never leave children or inexperienced swimmers alone in any pool.

Rectangular Pool Parts List

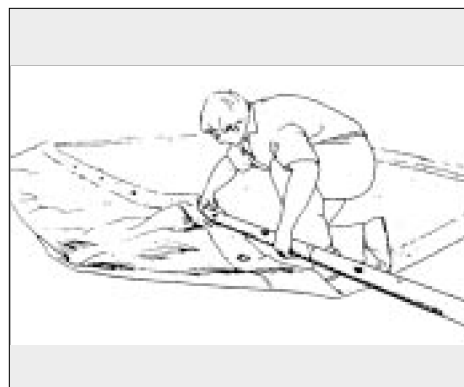
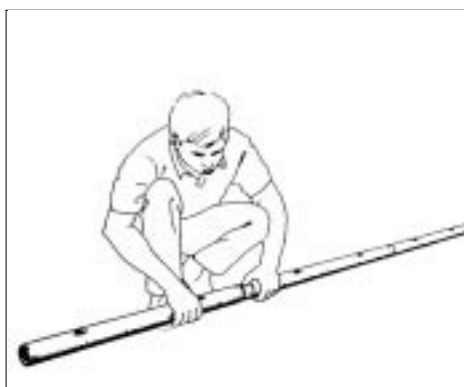
- | | |
|------------------------------|----------------------------------|
| A. Male Top Rail End Piece | I. Hose w/Threaded Nipple/Gasket |
| B. Middle Top Rail Section | J. Floating Skimmer Weir |
| C. Female Top Rail End Piece | K. Skimmer Hold Down Fitting |
| D. Leg | L. Skimmer Basket |
| E. Foot Block | M. Skimmer |
| F. Stainless Steel Ring | N. Vacuum Adapter Plate |
| G. Connecting Pin | O. Ball Valve |
| H. Wall Fittings | P. Eyeball Fitting |



Getting Started



1. Unfold your pool on your selected and prepared site. Locate the pre-punched plumbing holes in one of the short walls of the pool and position them where you want your pump and filter to be located. **CAUTION:** Electrical outlet will require GFI (ground fault interruption) protection. **Hint:** Your skimmer can be even more effective if located at the prevailing “down wind” end of the pool. **WARNING:** Make sure you do not install your pool under electrical lines.

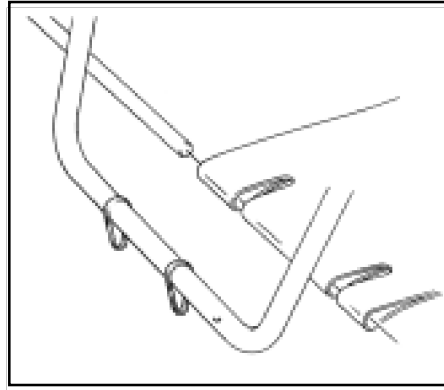


2. Insert the galvanized steel Top Rails into the seamed pockets at the top edge of the pool. There is a slot located in each corner that will accept the Top Rails. Insert one Female End Piece (C) into the sleeve; continue adding Middle Top Rail Sections (B) as you slide the rail into place, until the necessary length is obtained. Finish each wall with a Male End Piece (A). Once all top rails are inserted, align pre-punched holes in pool with holes in Top Rail.

Hints: Set rails out around the perimeter of the pool before you begin assembly.

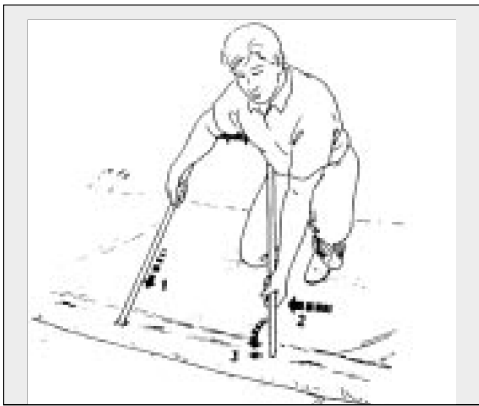
Insert rails into the long sides of the pool first. As you insert each piece of the rail and begin to slide, it helps to pull and tighten the white sleeve to avoid hitting wrinkles. Be careful not to scrape the ends of the railing along the pool material.

On hot days the rails may “grab” the sleeve as you are inserting them. This can be prevented by wetting the top rails with a garden hose as you insert them.

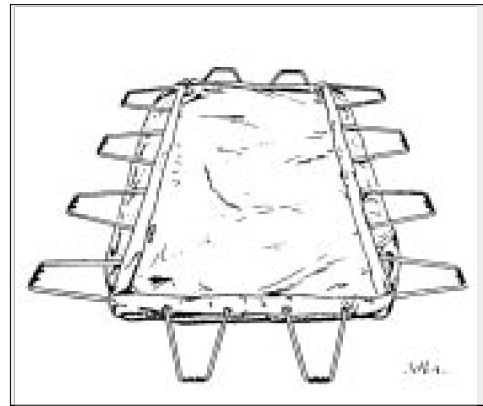


3. Above is an illustration of the assembly of the Pool Legs. Slide the two Stainless Steel Rings onto the Leg. Continue this process until you have assembled all the Buttress Legs.

Item 2A

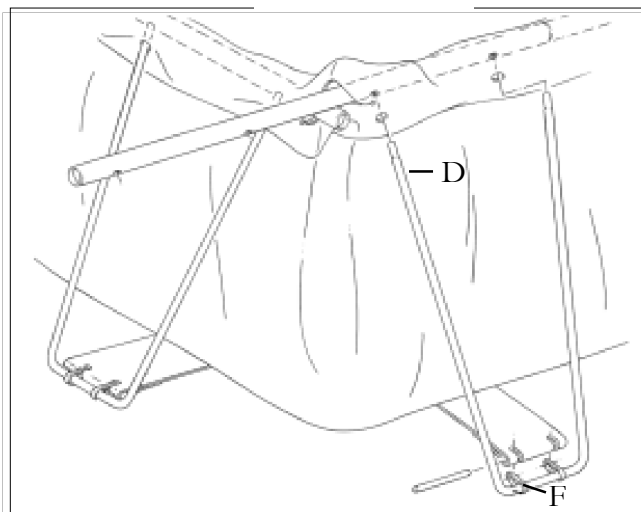


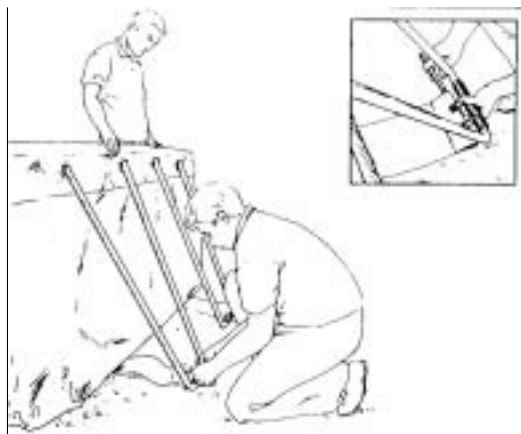
Item 2B



4. Insert the Leg into the Top Rail as in Item 2A, spreading the Leg apart until it slides into the holes. When all the buttresses are inserted, the pool will look like Item 2B. Finally, connect Leg with Connecting Pin to the pool buttress strap as in Item 3.

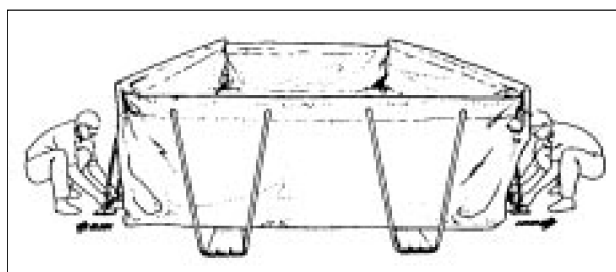
Item 3



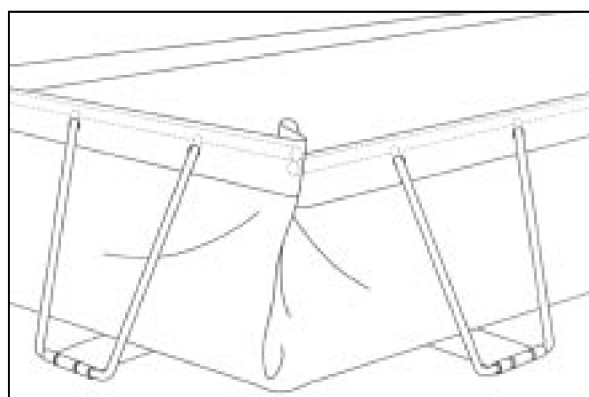


5. Put one person inside the pool to hold the wall at the Top Rail. Insert the Connecting Pins (G), to connect the pool straps to the Stainless Steel Rings. Repeat this process with all four walls.

Note: At this stage, all four walls will be leaning inward; this is normal. They will automatically move to their proper positions once the pool is filled with water.

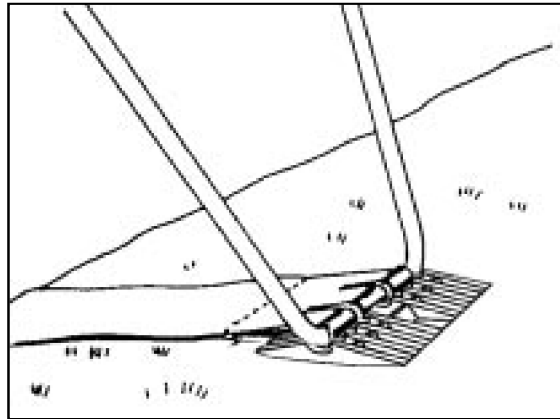


6. Gently pull buttress straps away from the center of the pool to insure a wrinkle-free installation.



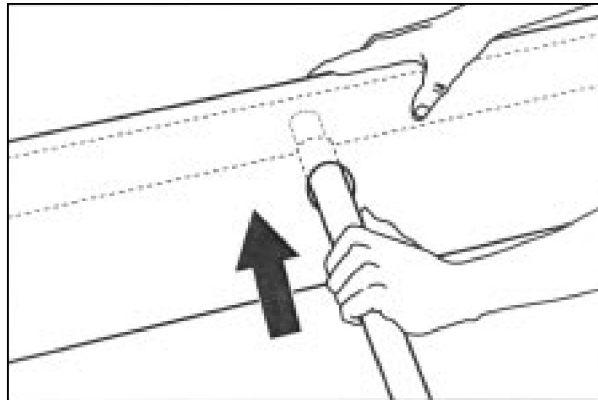
7. Position the short wall Top Rails so they are leaning over and on top of the long wall Top Rails.

WARNING: Shallow water! Never jump or dive into an above-ground pool; serious bodily injury could occur.



8. There must be solid support under each Buttress Leg because, when the pool is filled, the weight on each Leg will be approximately 2,000 pounds. If the pool is on a surface other than concrete, the recommended method of support is to utilize the included Foot Blocks (grey footblock). Place the Foot Blocks under the Leg, placing the Leg into the recess on the top of the Foot Block. The Foot Block is designed to provide the proper support to the Leg to move as the pool fills.

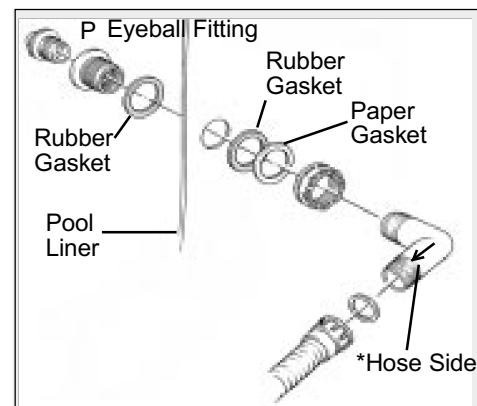
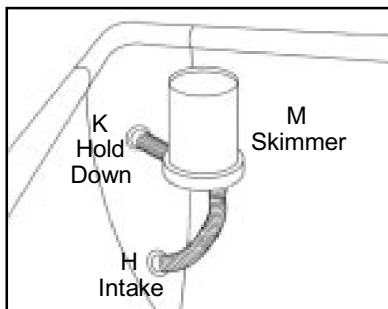
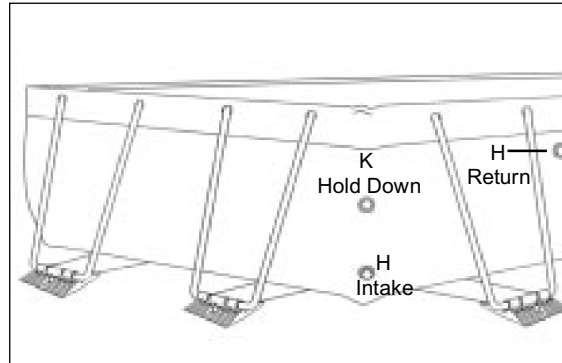
Note: The Buttress Leg must be placed in the center of the support.



In the positioning of your pool, make sure that all Buttress Leg tubes are still inserted properly into the Top Rail. Do this by placing your hand on the Top Rail where the individual Leg tubes insert and feel with thumb and fingers. If you find that a Leg has been dislodged, re-insert it into the Top Rail.

WARNING: Shallow water! Never jump or dive into an above-ground pool; serious bodily injury could occur.

Installing the Circulation System



See (K) on page 3 for Skimmer Hold Down Wall Fitting assembly diagram.

1. Wall Fitting Installation — Install the two Wall Fittings (H) at the locations labeled “intake” and “return”. Also install the Skimmer Hold Down Fitting (K) in its marked location. Each of these three fittings has two rubber and one paper gasket. These should be positioned as in the diagram above. No thread sealer or Teflon tape is required. Screw the Eyeball Fitting (P) into the Return Wall Fitting. The elbow will go on the outside of the Return Wall Fitting. Teflon tape is a good idea for where the elbow screws into the wall fitting. *Note that “hose side” is imprinted on the 90 Degree Fitting for your convenience. No Teflon tape is needed for the hose connections because you have hose gaskets.

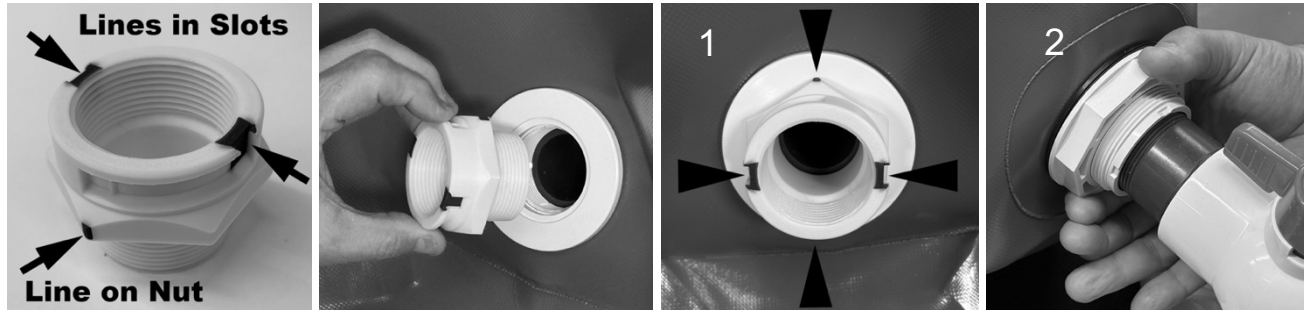
2. Skimmer Installation using the Splash QC Fittings —

a) Take the short gray hose in your Box4B and twist it onto the barb on the side of the skimmer housing with the black threaded piece away from the housing. It will screw into the Skimmer Hold Down Wall Fitting later. You should have a blue skimmer suction hose in your Box4B with the female QC fitting already installed in one end. Attach the other end to the bottom of the skimmer housing with a twisting motion. *Tip: The blue hose will twist easier in one direction. If it is difficult to turn, try twisting it the other way. Soapy water may also be used for this.* The curvature of the new skimmer hose should align with the gray skimmer hose as shown to the right. If you have aligned it properly, the blue tabs on the female QC fitting will be in the 12 o'clock and 6 o'clock positions when the skimmer is attached and in its proper skimming position.

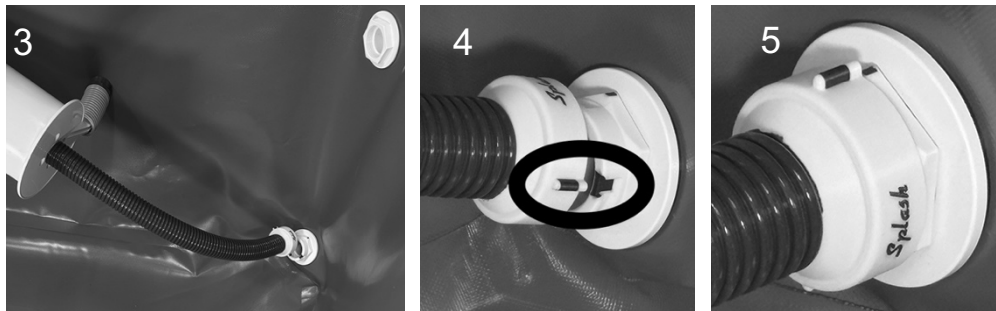


b) Now you will need to add the male QC adapter. Screw the male adapter into the skimmer suction wall fitting (H) on the inside of your pool. Align the male adapter as close as possible with the two blue lines in the slots at the 9 o'clock and 3 o'clock positions (image 1). The blue line on the nut portion of the

adapter should now be in the 12 o'clock position (image 1). If necessary, to get the blue lines in the correct positions, SLIGHTLY loosen the octagonal nut located on the exterior of your skimmer suction wall fitting (image 2). You can now turn the whole wall fitting to get the adapter in the correct orientation. Once you have done that, be sure and retighten the nut on the outside of the wall fitting.



- c) For correct orientation of the skimmer when finished, it needs to turn clockwise on the wall fitting with the male adapter. To make sure you start in the right place, the skimmer will lean to the left to start. See image 3 for your starting point. Align the blue tabs on the exterior of the female fitting with the blue lines in the slots of the male adapter (image 4) and slide the fitting down over the adapter. The nubs inside the female QC fitting should fit into the slot openings on the male QC adapter.



- d) Rotate the entire skimmer clockwise to lock the two parts together. Rotate until you feel it “click” into position. You will feel a resistance and then it snaps into a locked position. The tab on the female part and the line on the nut of the wall adapter should both be in the 12 o'clock position (image 5). Test the connection by twisting the skimmer slightly back in the opposite direction. There should be some resistance. If the tabs on the QC fitting don't rotate back to the beginning position with the skimmer, the connection is good
- e) Screw the gray skimmer hose into the Skimmer Hold Down Wall Fitting (K) and adjust the skimmer housing so that it sits upright in the pool corner.
- f) Place the skimmer basket and floating weir on the housing. Now is when the person inside the pool will want to get out.

REMOVING AND REATTACHING YOUR SKIMMER WITH THE QUICK-CONNECT FITTING INSTALLED

Removing the skimmer from outside the pool (winterizing procedure)

- To remove, shut off your filtration system and remove your skimmer basket and weir.
- Unscrew the gray skimmer hose from the hold down (top) wall fitting in your pool.

- c) Applying steady force, hold your skimmer housing and rotate your skimmer counterclockwise until the QC adapter releases the quick-connect fitting. You will turn the skimmer approximately quarter turn and you should be able to remove your skimmer.

TIP: *It will help if you place your foot on the ball valve and put some downward pressure on it. This points the wall fitting upwards and makes it easier to remove or install. This is also a great help when trying to insert or remove the winterizing plug using the winterizing tool.*

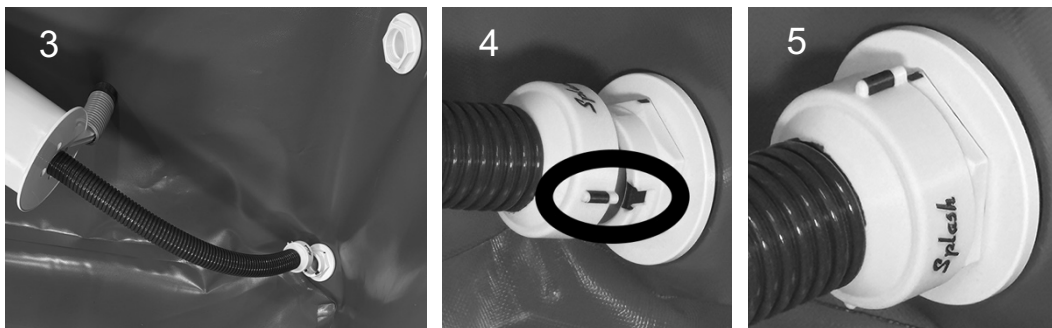
- d) The male QC adapter which stays attached to the wall fitting also has internal threads. If you are winterizing your pool at the end of the season, use the Splash winterizing tool (available on the website) to screw a winterizing plug into the adapter. You should have received winterizing plugs when you purchased your Splash pool. If you need additional plugs they can be found on our parts portion of our site. Since the winterizing plug has an O-ring there is no need to tighten it down as tight as you can. Just get it snug and the O-ring will do its job. If you put it in tight, in the spring when you try to remove it the wall adapter may come out instead of the winterizing plug. Be sure and open the ball valve to allow any trapped water to drain out. Leave the ball valve open while winterizing plug is in place.

WARNING: DO NOT START YOUR PUMP AND FILTRATION SYSTEM WITHOUT THE SKIMMER ATTACHED. DOING SO IS A SAFETY HAZARD. A SWIMMER OR AN OBJECT CAN BE CAUGHT BY THE UNRESTRICTED SUCTION.

Installing the skimmer from outside your pool (opening the pool for spring)

Tip: *If you are installing the QC fittings with water in the pool, you can use a storage bin, or Tupperware container with a clear transparent bottom as a makeshift aqua scope. Floating the container on the water will maintain a flat surface to view through, preventing ripples and waves from distorting your underwater view. It may be helpful to have someone hold this while you are working on aligning the QC adapters.*

- a) Close the ball valve on the outside of the Skimmer Suction Wall Fitting and remove the winterization plug that you put in when you removed the skimmer. This is easiest done using the Splash Winterization Tool if you do not already have one. It can also be done from inside the pool.
- b) For correct orientation of the skimmer when finished, it needs to turn clockwise on the wall fitting with the male adapter. To make sure you start in the right place, if you are outside the pool, the skimmer will lean to the right to begin. If you are inside the pool, it will lean to the left to start. See image 3 for your starting point. Align the blue tabs on the exterior of the female fitting with the blue lines in the slots of the male adapter (image 4) and slide the fitting down over the adapter. The nubs inside the female QC fitting should fit into the slot openings on the male QC adapter.



- c) Rotate the entire skimmer clockwise to lock the two parts together. Rotate until you feel it “click” into position. You will feel a resistance and then it snaps into a locked position. The tab on the female part and the line on the nut of the wall adapter should both be in the 12 o’clock position (image 5). Test the

connection by twisting the skimmer slightly back in the opposite direction. There should be some resistance. If the tabs on the QC fitting don't rotate back to the beginning position with the skimmer, the connection is good

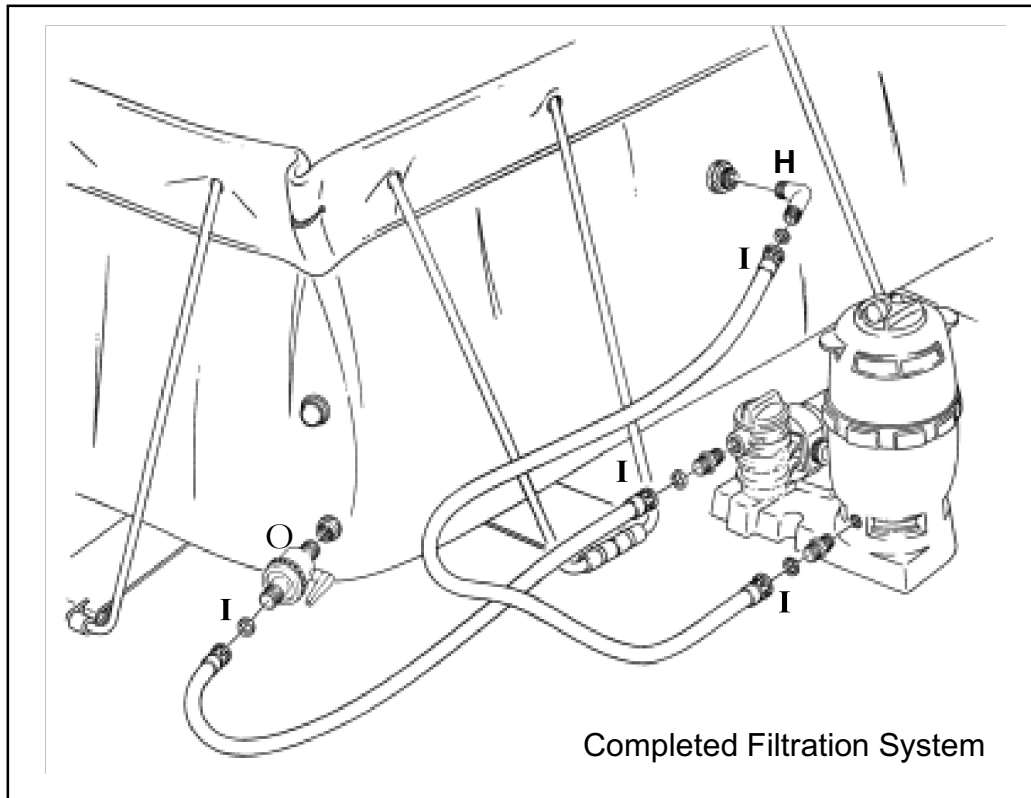
- d) Screw the gray skimmer hose back into the top wall fitting and adjust the skimmer housing so that it sits upright in the pool corner.
- e) Place the skimmer basket and weir on the housing and restart your pump and filtration system. Check that your skimmer weir is floating on the water surface properly and adjust the skimmer's orientation as needed.
- g) Warning Label – Affix the Warning Label on the pool liner at the top rail next to the floating skimmer. If the Floating Weir and the internal basket of the skimmer are removed, the resultant strong suction can trap hair or other body parts if they are inserted into the skimmer. Due to this potential hazard, we are recommending that you affix the Warning Label.



3. Pump and Filter Installation — Please refer to the directions supplied by the manufacturer of your pump and filter.

NOTE: The 17' x 29.5' rectangular pool has holes for an optional extra skimmer. If you choose not to use an extra skimmer, use the supplied Wall Fittings and plugs to seal holes.

WARNING: The circulation system produces very strong suction. NEVER lay on or insert body parts into the skimmer. Always turn off the pump before working on the skimmer.

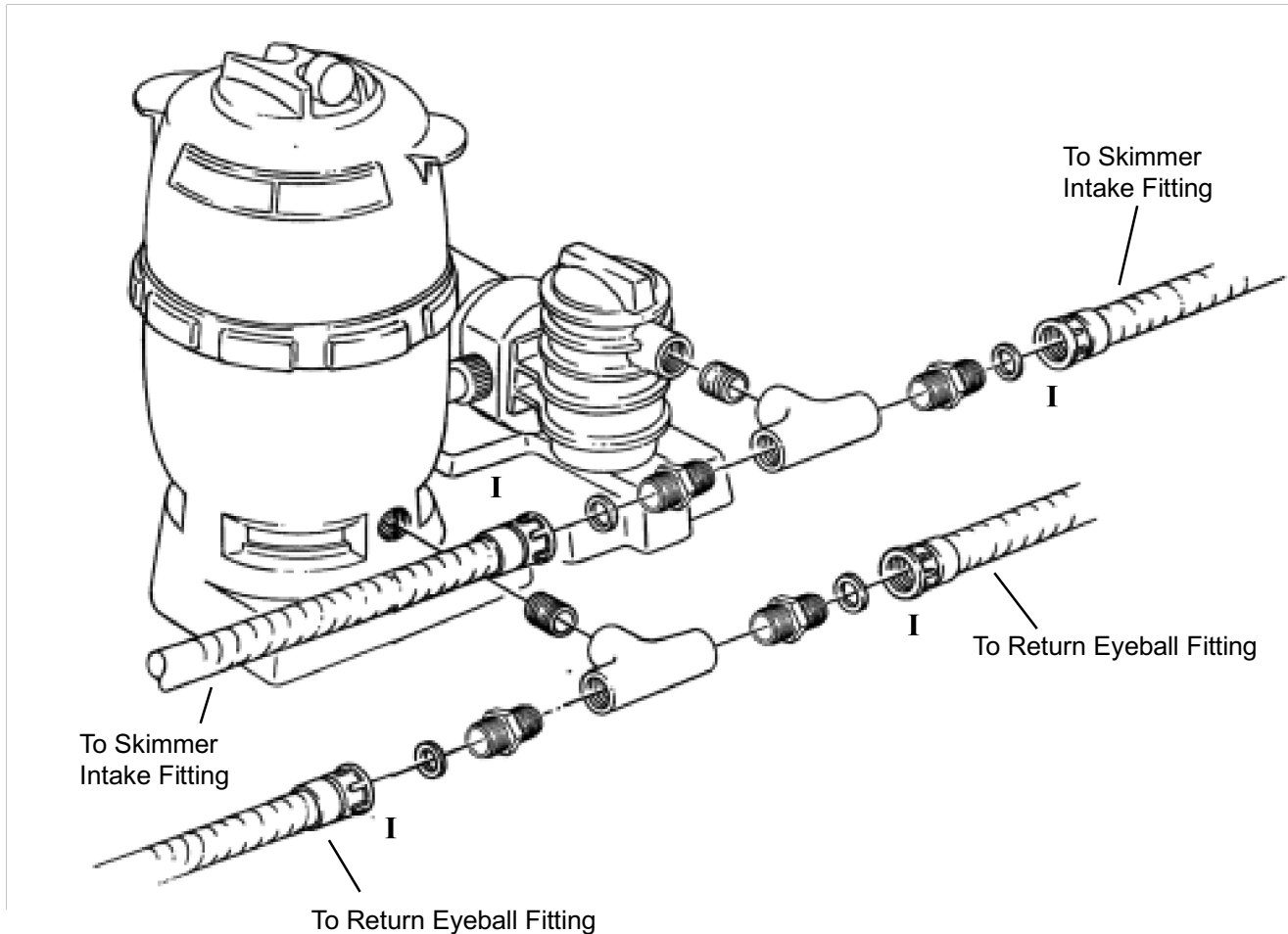


4. Tighten Fittings – Make sure all fittings connecting the pump and filter are tight.
5. Tape – Wrap Teflon tape on the threads of the Ball Valve (O) going into the Intake Wall Fitting, and the elbow (H) and screw tightly into the Return Wall Fitting.
6. Attach Hoses – (Be sure to use only Teflon tape on all Threaded Fittings. Do not use the Teflon tape, however, on the hose side of the Threaded Fittings. DO NOT USE PIPE SEALANT.) Take one of the hoses and attach one end to the Ball Valve (O) using a Gasket (I). Take the other end and attach it to the suction side of the pump and filter with a Threaded Nipple and a Gasket. Note that “hose side” is imprinted on the Threaded Nipple for your convenience. Once sealed, the hose will not spin. Next, attach one end of the second hose to the Return Wall Fitting (H) with a Gasket (I). Twist the threaded elbow into the Wall Fitting before attaching the hose. Then take the other end and attach it with a Threaded Nipple and a Gasket (I) to the Filter Canister. It is helpful to twist the Threaded Nipple into the Filter Canister before the hose. DO NOT USE PIPE SEALANT. Make sure all connections are tight.
7. Warning Label – Affix the Warning Label on the pool liner at the Top Rail next to the Floating Skimmer. If the Floating Weir and the internal basket of the Skimmer are removed, the resultant strong suction can trap hair or other body parts if they are inserted into the skimmer. Due to this potential hazard, we are recommending that you affix the Warning Label.

WARNING: NEVER work on pump, filter, or skimmer while pump is operating or serious injury could occur due to strong suction.

Adding the optional second skimmer to your pool

When installing a second Skimmer, attach the Skimmers and returns as shown in the previous instructions. Install one of the Tee Fittings into the suction side of the pump and filter (in the leaf basket). Connect the hoses from the Suction Fittings on the pool (bottom fittings) to the Threaded Nipples. Next insert the second Tee Fitting into the return side of the pump and filter. Insert both Threaded Nipples into the Tee Fitting. Attach the hose from the Return Fittings on the pool to the hose adapters. Teflon tape is recommended to prevent leaks in the fittings. **DO NOT USE PIPE SEALANT.** Make sure both Ball Valves are open before starting your pump and filter. Turn on the pump and filter to begin filtering your pool.



WARNING: The circulation system produces very strong suction. NEVER lay on or insert body parts into the skimmer. Always turn off the pump before working on the skimmer.

Filling and Starting Your Pool

1. Begin adding water to the pool. When the pool has approximately 1" of water on the bottom, shut the water off. Gently pull on the foot straps to remove any remaining wrinkles. The sides will rise automatically and will be in their proper position when the pool is full. Full position is when water level is approximately 3" from the top of the pool.
2. When the pool is full, plug in the circulation system, making certain the Ball Valve is open (Handle is in-line with hose). You will begin to see water being pulled down into the skimmer. The pump basket area will also fill with water, as seen through the clear lid. At the same time, the pressure gauge on top of the filter will show that water is filling the tank.
3. At this time, "bleed" air from the circulation system by loosening the small threaded plug on the filter lid. You will hear air escaping. Once all the air has escaped, water will follow. When this happens, retighten the plug. The circulation system has now been primed.
4. Assemble the ladder per instructions and place it where desired in the pool. Ladder assembly instructions can be downloaded from Splashpools.com/manuals.
5. Start enjoying your pool.

**WARNING: SHALLOW WATER!
NEVER JUMP OR DIVE INTO AN ABOVE-GROUND
POOL!**

**WARNING: NEVER work on pump, filter or skimmer
while pump is operating or serious injury could occur
due to strong suction.**

Vacuumping Your Pool

To vacuum your pool, you may either use an automatic cleaner or the traditional manual method. If you choose the manual method, you will need a 1.5" flexible vacuum hose of adequate length, a vinyl liner vacuum head, and a telescopic pole.

Begin by turning the pump and filter off, then place vacuum hose on vacuum head or automatic cleaner. Place vacuum (either auto cleaner or vinyl vacuum head attached to end of telescopic pole) in pool, allowing hose to fill with water. Continue to "feed" hose straight down into water, thus removing air from the hose and replacing it with water. Once you get to the end of the hose, water will come out. Turn the pump and filter on and begin vacuuming.

Automatic Vacuuming

With the pump turned off, place the Vacuum Adapter Plate ("N") on top of the Floating Skimmer Weir ("J"). Once the pump is turned on, the suction of the pump will hold the plate in place.

Attach vacuum hose into adapter plate hole. Again, pump suction will hold hose in place. Turn on the pump and filter; the pool is now ready to be vacuumed. The automatic vacuum will run on its own. When the pool is clean, turn off the pump and filter, unplug vacuum hose, remove vacuum, and remove adapter plate. This is a good time to empty any debris from the Skimmer Basket ("L"). Finally, turn the pump back on to continue filtering.

WARNING: Do not attempt to remove or install the vacuum plate while the pump and filter are running. The suction is very powerful; fingers may get pinched between the vacuum plate and the skimmer. DO NOT swim in the pool while the vacuum is running.

WARNING: Keep body parts away from vacuum plate when in place and pump and filter are running.

Cleaning Filter and Pump Basket

Over time (from a few days to a few weeks, depending on how much the pool is used and environmental conditions), your filter will require cleaning. You might notice a loss of suction when vacuuming or an increase in filter gauge pressure. You should clean the filter when the pressure increases 8-10 lbs. above the filter's initial start-up pressure.

A. Sand Filter

1. Begin by shutting off the power to the system.
2. Move the lever at top of filter from "filter mode" to "backwash mode".
3. Turn the power to the system back on.
4. Continue to backwash until wastewater becomes clear. Note: It is a good idea to attach a hose to the backwash outlet of the filter. Run the hose to an area where the water will drain away. Also, be sure the water level remains high enough so as not to lose the prime.
5. When wastewater is clear, shut off power to the system.
6. Turn lever back to the "filter mode" setting.
7. Turn the pump and filter back on.

B. Cartridge Filter

1. Begin by shutting off the power to the system.
2. Close the Ball Valve.
3. Screw a Threaded Plug (found in separate plastic bag) into Return Wall Fitting from the inside of the pool.
4. Open Air Relief Valve.
5. Remove the lid from the Filter Canister.
6. Lift out the Cartridge Filter and clean with a garden hose.
7. Clean Filter Canister by removing Drain Plug at base of filter. Replace plug.
8. Replace Filter Element and reattach lid.

C. Pump Basket

1. Remove pump lid and clean pump basket. Replace lid.
2. Open Ball Valve, remove Threaded Plug from Return Wall Fitting, and close Air Relief Valve.
3. Turn the power to the system back on.

WARNING: Pump must be shut off when cleaning

Winterizing your Pool

To help guide you in the winterizing process of your Pool, instructions are as follows:

- 1.The use of winterization chemicals will greatly improve the condition of your water when opening the pool in the spring.
- 2.Disconnect the Skimmer and remove it and all hoses from inside the pool. The Skimmer Wall Fitting will need to be plugged from inside the pool, and the Slice/Ball Valve should be opened to allow it to drain. (The valve can be removed but must be free of water for the winter.)
- 3.Drain the water below the Return Fitting, remove the Directional Fitting and do not plug the Wall Fitting. This will help to maintain the low water throughout the winter.
- 4.All Hoses which connect the pump and filter to the pool should be removed at this time. Properly store the Pump, Filter and Hoses for use next season.
- 5.Place pillows in the pool and secure to sides, then apply winter Cover (available as an accessory).
6. Damage to the pool from ice is not covered by the warranty. Some areas may dictate additional precautions.

Note: If your area does not experience freezing temperatures, disregard items 2-6.

CAUTION: Failure to lower water level could result in ice damage to your pool.

STRUCTURAL PARTS PACKAGING LIST

ALPHA POOL SIZE	P5PB	P54M	P52M	PATA4	PATA6	PATA18	SPLLAD5	BOX4E
17 X 28	2	2	0	2	1	1	1	1

DEFINITION OF PARTS

A - MALE TOP RAIL **B** - CENTRAL TOP RAIL **C**- FEMALE TOP RAIL **D** - LEG **E** – FOOT BLOCKS **F** - STAINLESS STEEL RING **G** - BEARING PIN

<u>P5 PB</u>	<u>P5 4M</u>	<u>P5 2M</u>	<u>BOX 4E</u>
2 -PART A	4 - PART B	2 - PART B	SKIMMER/VAC HEAD
2- PART C	8 - PART D	4 - PART D	2 - THREADED NIPPLES
8- PART D	16 - PART F	8 - PART F	2 - 12' HOSES
16- PART F	8 - PART G	4 -PART G	4- WALL FITTINGS
8 - PART G			1 - 90° ELBOW
			2 - SKIMMER HOLD DOWNS
			1 - BALL VALVE
			1- EYEBALL/DIRECTIONAL
			2 - PATCH KITS (4 PATCHES)
			2 -WINTERIZATION PLUGS
			INSTALLATION USB

PART E - PATA4 – 4 – FOOT BLOCKS **PATA6** – 6 FOOT BLOCKS **PATA18** – 18 FOOT BLOCKS INSTALLATION USB IN BOX4